

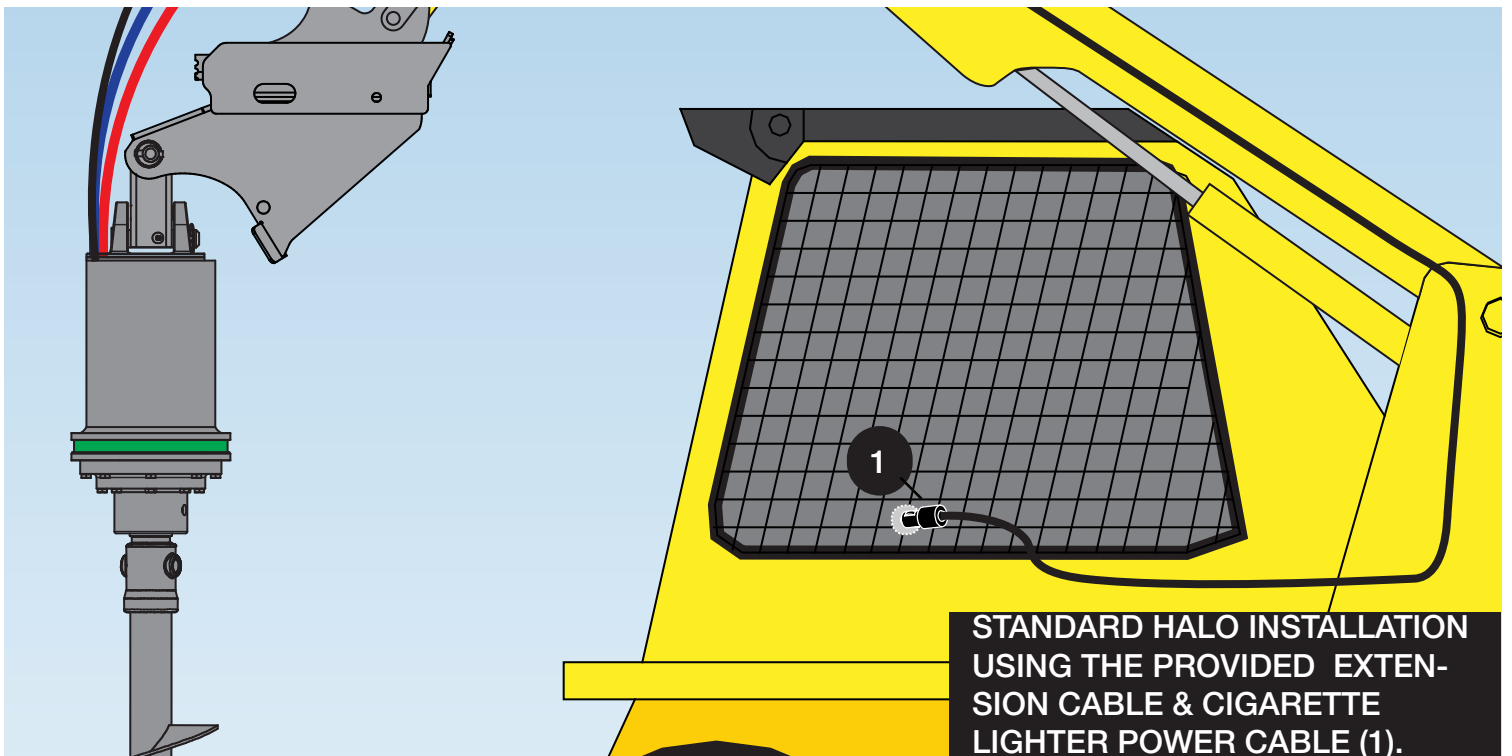


STANDARD KIT INCLUSIONS
DEPENDING ON YOUR MACHINE, AN EXTENSION CABLE MAY BE REQUIRED



CABLES

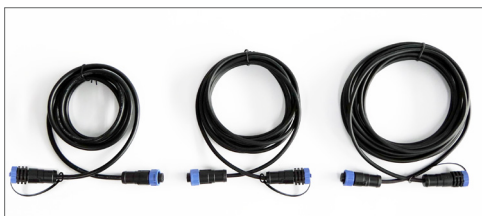
3METER (10') EXTENSION CABLE
IN-CAB 12V CIGARETTE LIGHTER WITH 8" CABLE



STANDARD HALO INSTALLATION
USING THE PROVIDED EXTENSION
CABLE & CIGARETTE
LIGHTER POWER CABLE (1).



OPTIONAL EXTRAS - CAB POWERED



CABLES

1 METER (39") EXTENSION CABLE	EC-001292
3 METER (10') EXTENSION CABLE	EC-001293
6 METER (20') EXTENSION CABLE	EC-001294

HALO OPTIONAL EXTRAS - BATTERY



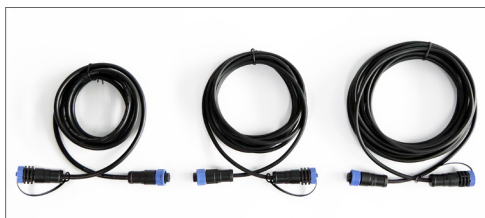
BATTERY KIT

MAGNETIC BATTERY	
1 METER (39") EXTENSION CABLE	EC-001301
240V BATTERY CHARGER	
ADDITIONAL MAGNETIC BATTERY	EC-001288



CHARGERS

USB CHARGER & CABLE	EC-001290
---------------------	-----------

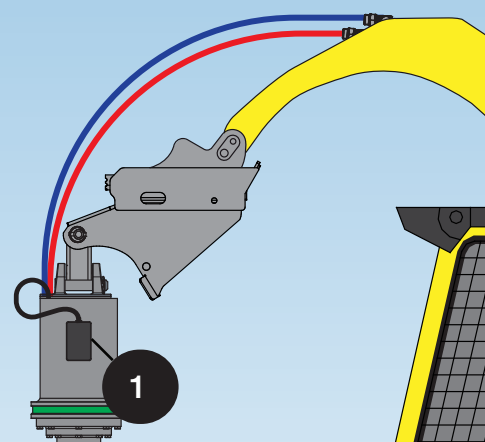


CABLES

1 METER (39") EXTENSION CABLE	EC-001292
3 METER (10') EXTENSION CABLE	EC-001293
6 METER (20') EXTENSION CABLE	EC-001294

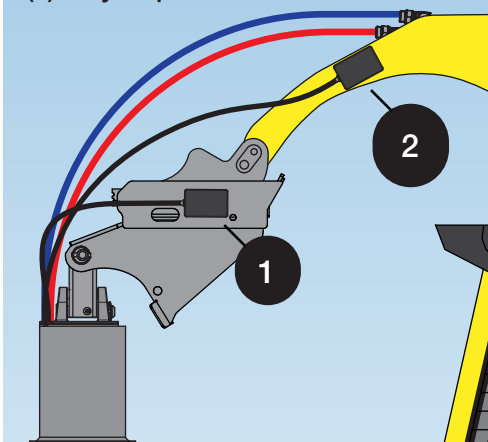
HALO BATTERY MOUNTING OPTIONS

(1) No extension cables required.



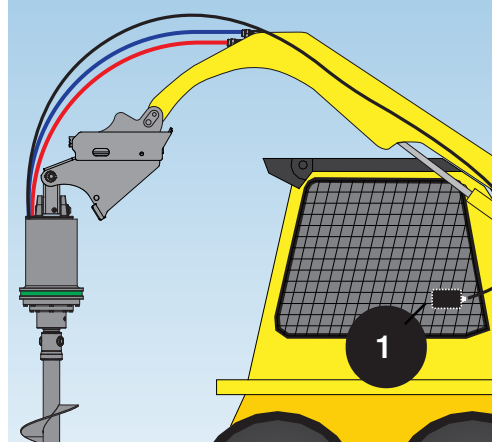
MAGNETIZED BATTERY PACK IS MOUNTED ON THE AUGER HOOD (1).

(1) requires 1 meter (39") cable.
(2) may require additional cables.



MAGNETIZED BATTERY PACK CAN BE MOUNTED ON THE MOUNT (1), OR MACHINE STICK (2).

(1) may require additional cables.



MAGNETIZED BATTERY PACK MAY BE PLACED IN-CAB (1), USING THE INCLUDED 3 METER (10') CABLE TO MAKE USE OF THE 'ZERO-IN' FUNCTION.